



TECH·SPEC®

NEMA 1 ENCLOSED ROTARY MOTOR CONTROLLERS/DISCONNECTS

Ideal for use in indoor environments.



661032D

Amp	Poles	HP Rating				Catalog Number
		120V AC	240V AC	480V AC	600V AC	
30	2	2	5	10	15	30102D
30	3	3	7.5	15	20	30103D

Note: For controller/disconnect specifications refer to page G-14.

NEMA 4X ENCLOSED ROTARY MOTOR CONTROLLERS/DISCONNECTS STAINLESS STEEL ENCLOSURES

Ideal for use in environments where washdown is necessary (i.e., food processing, laboratories, etc.).



664S33D

Amp	Poles	HP Rating				Catalog Number
		120V AC	240V AC	480V AC	600V AC	
30	3	3	7.5	15	20	664S33D
60	3	—	10	25	30	664S63D

Note: For controller/disconnect specifications refer to page G-14.

NON-METALLIC ENCLOSURES

Used primarily in heavy wash-down and corrosive environments.



664S63D

Amp	Poles	HP Rating				Catalog Number
		120V AC	240V AC	480V AC	600V AC	
30	3	3	7.5	15	20	664X33D
40	3	3	7.5	15	20	664X43D
60	3	—	10	25	30	664X63D

Note: For controller/disconnect specifications refer to page G-14.

ACCESSORIES

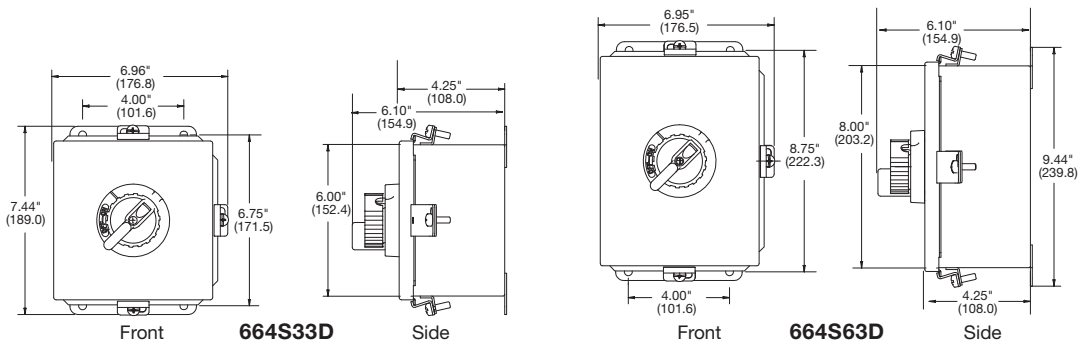
Description	Catalog Number
Finger guard option for 30A switch (set of 2)	30003FG
Auxiliary contact NO/NC; pilot duty	660AC
Mounting feet for NEMA 4X enclosure	664XFT
Neutral buss connector for NEMA 4X enclosure	6603N

Note: For controller/disconnect specifications refer to page G-14.

PRODUCT DIMENSIONS Inches (mm)



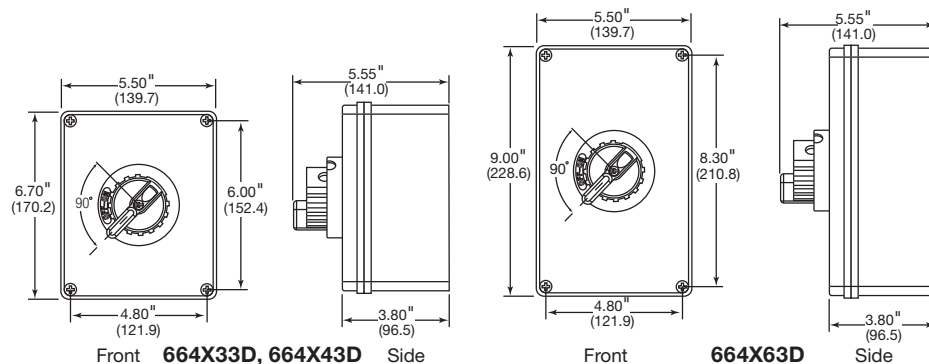
664X63D



660AC



664XFT



6603N